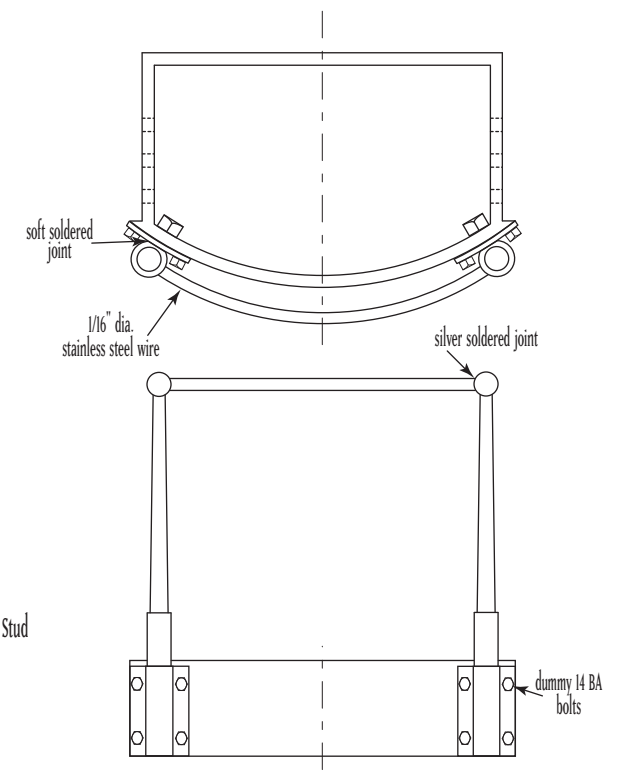
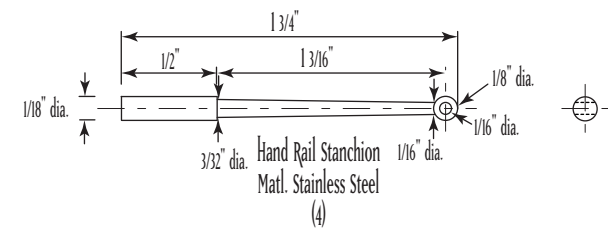
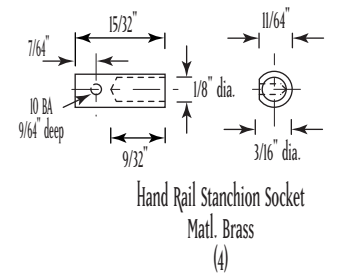
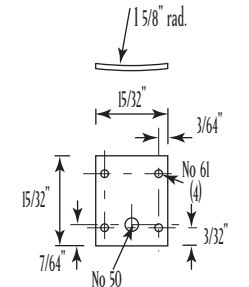


Guinness



16 mm to 1 foot scale

Title:	Lubricator & Hand Rails
Date:	24/08/2009
Tolerance:	+ 0.005" - 0.005" Unless Stated Otherwise
Material:	As Stated
Drawn By:	Robert John Bath