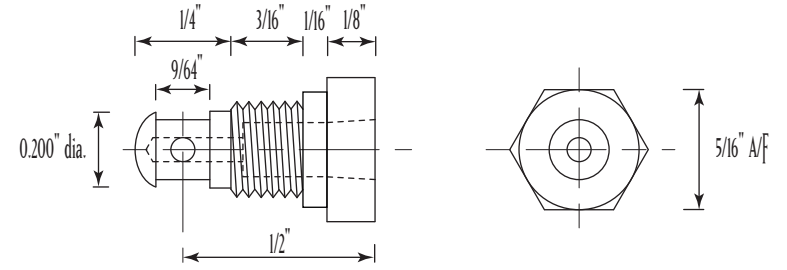
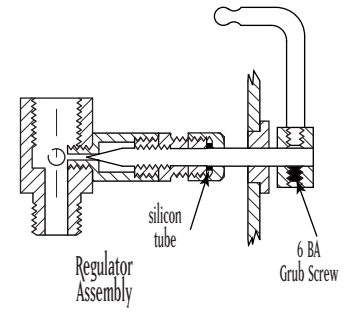
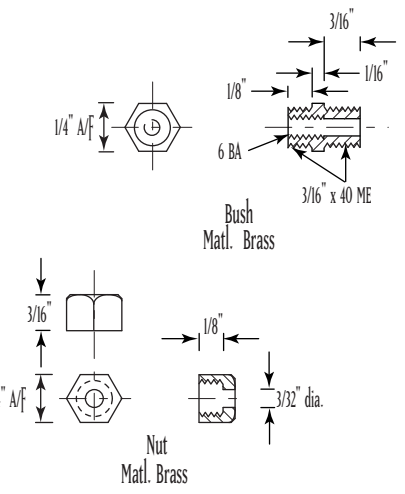
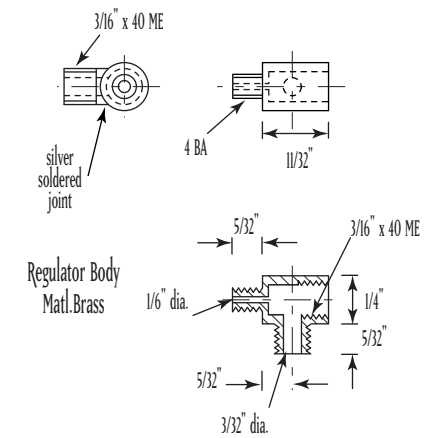
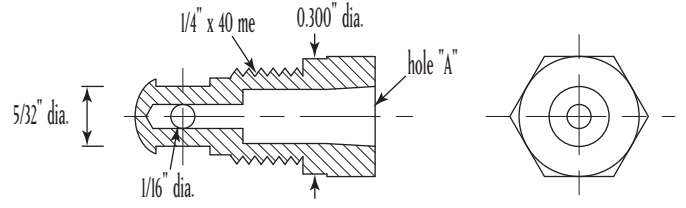
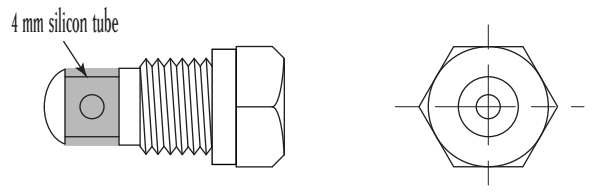


Guinness

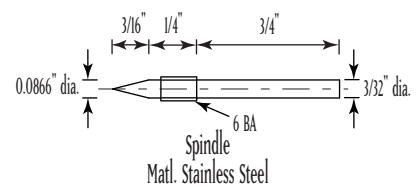
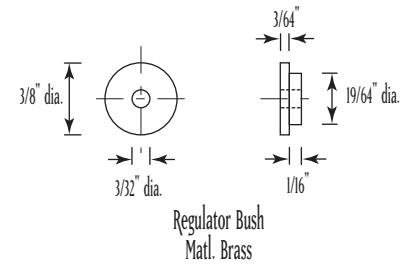
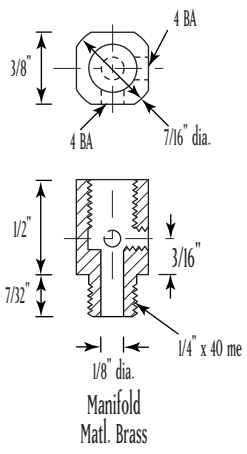
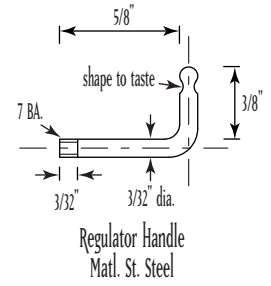
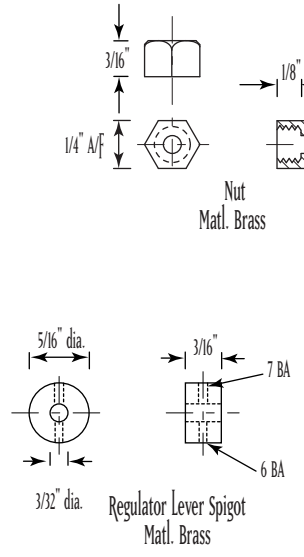
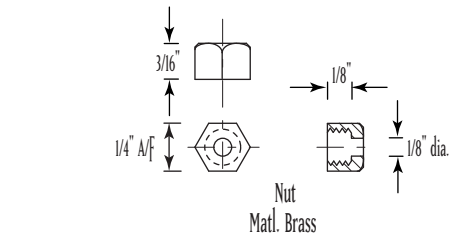


Filler Valve
Shown Twice Full Size



Material Brass

16 mm to 1 foot scale



Title:	Boiler Fittings
Date:	21/05/2009
Tolerance:	+ 0.005" - 0.005" Unless Stated Otherwise
Material:	As Stated
Drawn By:	Robert John Bath